

KOMATSU®

PC290LL-11

Tier 4 Final Engine

LOG LOADER / PROCESSOR / ROAD BUILDER



Photos may include optional equipment.

NET HORSEPOWER

196 HP @ 2050 rpm
147 kW @ 2050 rpm

OPERATING WEIGHT

Log Loader	87,370 lb	39,630 kg
Processor	81,571 lb	37,000 kg
Road Builder	82,410 lb	37,380 kg

PC290LL

WALK-AROUND

PC290LL-11



Photos may include optional equipment.

NET HORSEPOWER

196 HP @ 2050 rpm
147 kW @ 2050 rpm

OPERATING WEIGHT

Log Loader	87,370 lb	39,630 kg
Processor	81,571 lb	37,000 kg
Road Builder	82,410 lb	37,380 kg



PERFORMANCE, RELIABILITY AND DURABILITY

Rugged Komatsu-designed front work equipment, high & wide undercarriage and powerful swing system designs deliver high performance in demanding log loading, shovel logging, processing and road building applications.

A fully-certified forestry cab with all LED lighting provides a comfortable operator working environment. Enhanced controller logic and new Tier 4 Final engine technology deliver excellent performance and fuel efficiency.

A powerful Komatsu SAA6D107E-3 engine provides a net output of 196 HP (147 kW) and is EPA Tier 4 Final emissions certified.

Komatsu Diesel Particulate Filter (KDPF) and Selective Catalytic Reduction (SCR) system reduces particulate matter and NOx while providing automatic regeneration that does not interfere with daily operation.

Komatsu-designed 40' (12,192 mm) reach live heel Forestry Front, 32' (9,636 mm) reach Processor Front or 34' (10,377 mm) reach Road Builder Front deliver high production.

High performance forestry cooling system features:

- Robust bar & plate, 3 mm wide fin single radiator, hydraulic oil cooler and charge air cooler cores reduce clogging.
- Sealed & screened air intake door minimizes debris entry.
- Variable pitch reversing fan reduces debris build-up and horsepower consumption (standard on Processor; optional on Road Builder).

Processor Front features:

- 2-position boom cylinder mounting (standard & high lift).
- Optimized hydraulic circuit with processor-specific high flow piping and hydraulic filtration.
- Boom cylinder guarding; revolving frame debris guarding.
- Boom piping guarding and purpose-built arm-tip adapter provide piping/hose protection when in transport position.
- Optimized work equipment linkage & bracketry for a simplified transportation position similar to excavator.
- Remote greasing from ground level for arm cylinder and arm/boom pivot point for ease of serviceability.
- Available with Komatsu 398 Processing Head, MaxiXplorer head control system and comfortable Sure Grip™ control handles.

Comfortable low-profile pilot proportional control (PPC) levers with electronic-proportional control (EPC) sliding buttons provide smooth and precise grapple & bucket thumb control (with Forestry & Road Builder Fronts).

Komatsu ROPS/OPS/FOPS/TOPS/FOG/WCB/Oregon OSHA certified forestry cab provides a comfortable working environment.

- High back, fully adjustable heated air suspension operator seat.
- Large 7" (178 mm) high resolution LCD color monitor panel.
- Five working modes are available to match engine speed, pump delivery, and system pressure to the application.
- 7/8" (22 mm) thick polycarbonate front window is standard.
- 48" (1,219 mm) tilting or 7" (178 mm) fixed riser options.
- Rear view monitoring system is standard.
- All LED cab & work equipment lighting is standard.



Komatsu rugged high & wide forestry undercarriage uses components from the next-size larger Komatsu excavator for increased performance, reliability and durability.

- 28" (715 mm) ground clearance.
- 11'5" (3,492 mm) overall transport width.
- PC360LC-class final drives produce 64,520 lbf (29,265 kgf) of drawbar pull for excellent rough terrain maneuverability.

Powerful PC390LC-class swing motor & drive with 75,902 ft lbs (10,494 kgm) of swing torque provides high productivity.

Heavy duty forestry guarding package is designed specifically for demanding applications.

- Right hand corner guard with tree deflector protects to the outer edge of the grip strut walkway.
- Full length grip strut walkways with HD underguards plus handrails located on the machine upper structure provide convenient access on both sides of the machine.
- 3/8" (9 mm) thick service undercover guards.
- 1/4" (6 mm) thick rear compartment doors.

Komatsu designed and manufactured components including:

Forestry Front, Processor Front, Road Builder Front, forestry cab, undercarriage, engine, hydraulic pumps, hydraulic motors, control valves and hydraulic cylinders provide high performance, reliability and durability.

KOMTRAX® Level 5.0 equipped machines can send location, service meter reading and operation maps to a secure website or smart phone utilizing wireless technology. Machines also relay error codes, cautions, maintenance items, fuel & Diesel Exhaust Fluid (DEF) levels, and much more.

PERFORMANCE FEATURES

KOMATSU NEW ENGINE TECHNOLOGIES

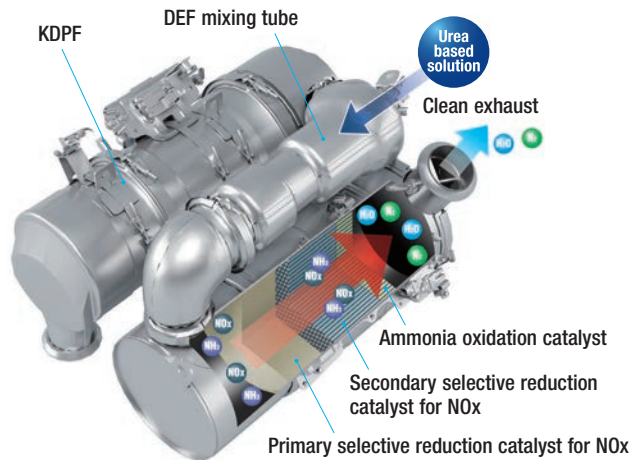
New Tier 4 Final Engine

The Komatsu SAA6D107E-3 engine is EPA Tier 4 Final emissions certified and provides exceptional performance while reducing fuel consumption. Based on Komatsu proprietary technologies developed over many years, this new diesel engine reduces nitrogen oxides (NOx) by more than 80% when compared to Tier 4 interim levels. Through the in-house development and production of engines, electronics, and hydraulic components, Komatsu has achieved great advancements in technology, providing high levels of performance and efficiency in virtually all applications.

Technologies Applied to New Engine

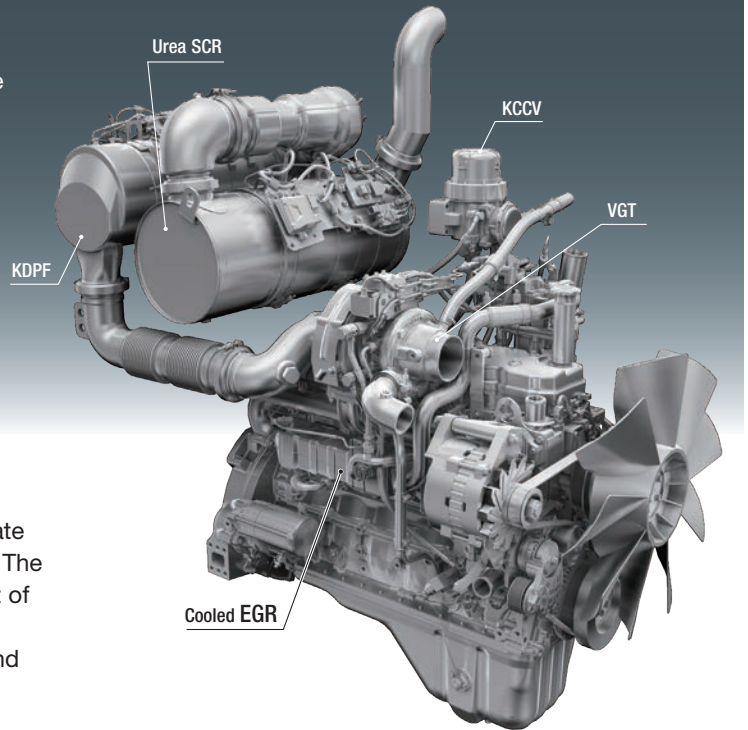
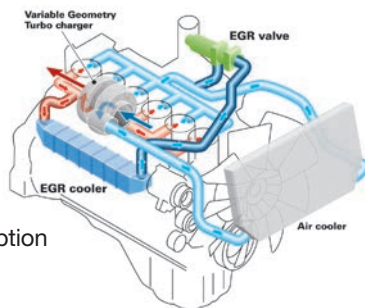
Heavy-duty aftertreatment system

This new system combines a Komatsu Diesel Particulate Filter (KDPF) and Selective Catalytic Reduction (SCR). The SCR NOx reduction system injects the correct amount of Diesel Exhaust Fluid (DEF) at the proper rate, thereby decomposing NOx into non-toxic water vapor (H₂O) and nitrogen gas (N₂).



Heavy-duty cooled Exhaust Gas Recirculation (EGR) system

The system recirculates a portion of exhaust gas into the air intake and lowers combustion temperatures, thereby reducing NOx emissions. EGR gas flow has been decreased for Tier 4 Final with the addition of SCR technology. The system achieves a dynamic reduction of NOx, while helping reduce fuel consumption below Tier 4 Interim levels.

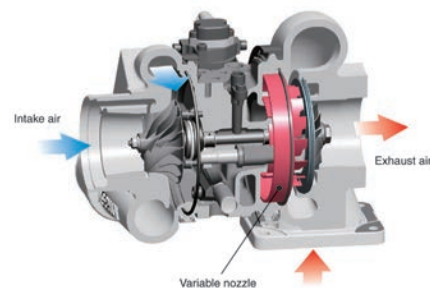


Advanced Electronic Control System

The electronic control system performs high-speed processing of all signals from sensors installed in the vehicle providing total control of equipment in all conditions of use. Engine condition information is displayed via an on-board network to the monitor inside the cab, providing necessary information to the operator. Additionally, managing the information via KOMTRAX helps customers keep up with required maintenance.

Variable Geometry Turbocharger (VGT) system

The VGT system features proven Komatsu design hydraulic technology for variable control of air-flow and supplies optimal air according to load conditions. The upgraded version provides better exhaust temperature management.



PG290LL-11

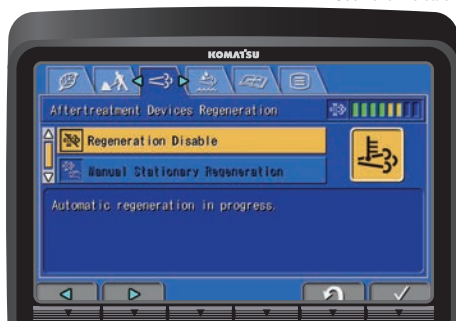
KDPF Regeneration Logic

Active regeneration will occur automatically with no effect on machine operation under most conditions.

In case the operator needs to disable active regeneration or initiate a manual stationary regeneration, this can be easily accomplished through the monitor panel. A soot level indicator is displayed to show how much soot is trapped in the KDPF.



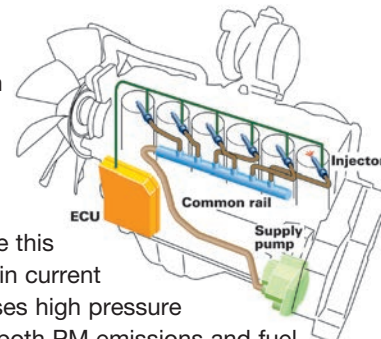
Soot level indicator



Aftertreatment device regeneration screen

Heavy-Duty High-Pressure Common Rail (HPCR) Fuel Injection System

The system is designed to achieve an optimal injection of high-pressure fuel by means of computerized control, providing close to complete combustion to reduce PM emissions. While this technology is already used in current engines, the new system uses high pressure injection, thereby reducing both PM emissions and fuel consumption over the entire range of engine operating conditions. The Tier 4 Final engine has advanced fuel injection timing for reduced fuel consumption and lower soot levels.



Komatsu Auto Idle Shutdown

Komatsu auto idle shutdown automatically shuts the engine down after idling for a set period of time to reduce unnecessary fuel consumption and exhaust emissions. The amount of time before the engine is shutdown can be easily programmed from 5 to 60 minutes.



Photos may include optional equipment.

PERFORMANCE FEATURES

Heavy Duty Undercarriage and Work Equipment

The PC290LL-11 utilizes a HD high and wide undercarriage and a heavy 15,432 lb (7,000 kg) counterweight to provide excellent stability and lift capacity. HD Forestry, Processor and Road Builder Front work equipment deliver high productivity, reliability and durability.

High Maximum Drawbar Pull

PC360LC-class final drives provide excellent maneuverability and shovel logging performance.

Maximum Drawbar Pull 287 kN, 29,265 kgf, **64,520 lbf**

Increased Work Efficiency

Lifting Mode / Power Max

When Lifting Mode or Power Max is selected, the lift capacity is increased 7% by raising the hydraulic pressure.

Powerful Digging Force - Road Builder

With the one-touch Power Max. function, digging force is temporarily increased for 8.5 seconds of operation.

Maximum arm crowd force (ISO)

124 kN(12.6t) ➔ **133 kN(13.6t)** **7% UP**
(with Power Max.)

Maximum bucket digging force (ISO)

184 kN(18.8t) ➔ **198 kN(20.2t)** **8% UP**
(with Power Max.)

Measured with Power Max. function, 3,200 mm arm and ISO rating

Rugged Swing System

The PC390LC-class swing motor and drive produces 75,902 ft lbs (10,494 kgm) of swing torque for demanding swing applications and high productivity.

**Purpose Built for
Forestry Applications**

**Heavy Duty Forestry,
Processor & Road
Builder Front Options**

**15,432 lb (7,000 kg)
Counterweight for
Stability and Lift
Capacity**

**Heavy Duty High &
Wide Forestry
Undercarriage for
Stability and Long Life**

**PC390LC-class Swing Motor & Drive
Produces 75,902 ft lbs (10,494 kgm) of
Swing Torque for High Productivity**

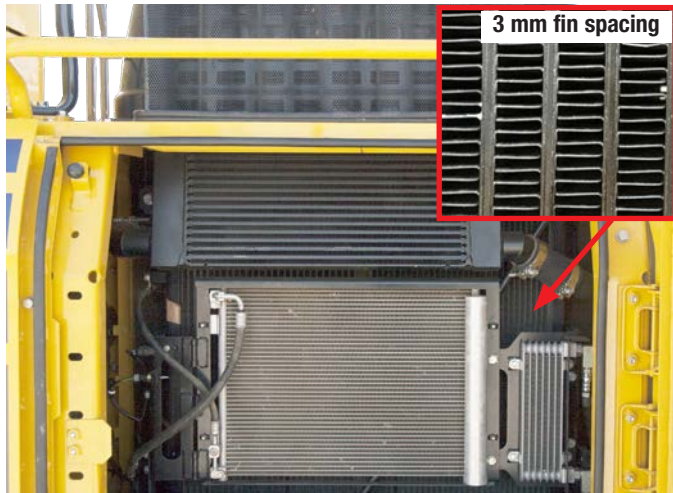
**Powerful PC360LC-class Final Drives
with 64,520 lbf (29,265 kgf) Drawbar Pull**

Photos may include optional equipment.

PC290LL-11

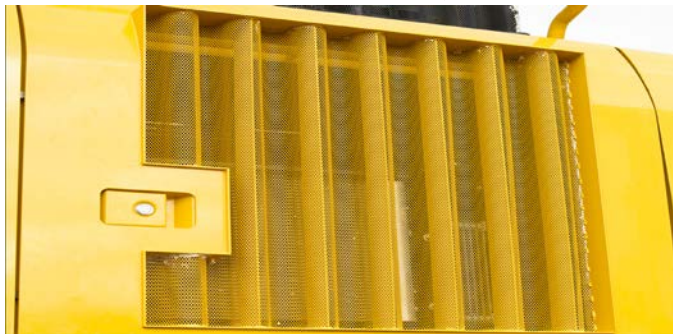
High Performance Forestry Cooling System with:

- 1) **Robust Bar & Plate 3 mm Wide Fin Single Radiator, Hydraulic Oil Cooler and Charge Air Cooler Cores:**
Reduces clogging for improved productivity and reliability.



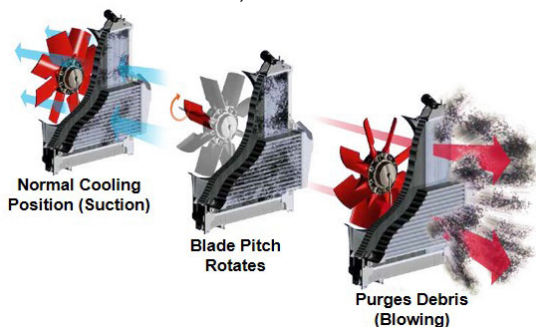
- 2) **Sealed & Screened Air Intake Door:**

All air must pass through fine mesh screens which removes debris prior to contacting the cooler cores. Waffle screen design maximizes air flow, reduces debris accumulation and minimizes cleaning time.



- 3) **Variable Pitch Reversing Fan (standard on Processor; optional on Road Builder):**

Reduces debris build-up and HP consumption. Variable blade pitch control automatically manages airflow direction and volume to deliver only as much airflow as needed. Reverses airflow every 20 minutes to purge debris (plus has a manual override).

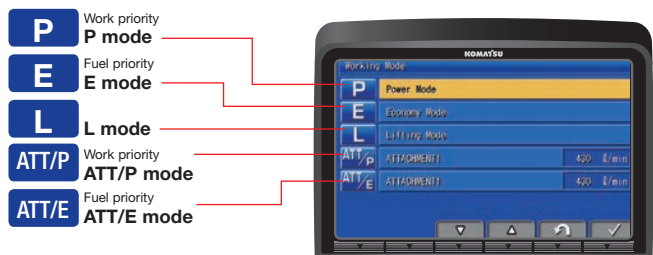


Photos may include optional equipment.

Working Mode Selection

The PC290LL-11 is equipped with five working modes (P, E, L, ATT/P and ATT/E). Each mode is designed to match engine speed, pump flow, and system pressure to the application. The Attachment Economy mode (ATT/E) allows operators to run attachments while in Economy mode.

P	Power mode	<ul style="list-style-type: none"> •Maximum production/power •Fast cycle times
E	Economy mode	<ul style="list-style-type: none"> •Good cycle times •Better fuel economy
L	Lifting mode	<ul style="list-style-type: none"> •Increases hydraulic pressure
ATT/P	Attachment Power mode	<ul style="list-style-type: none"> •Optimum engine rpm, hydraulic flow, 2-way •Power mode
ATT/E	Attachment Economy mode	<ul style="list-style-type: none"> •Optimum engine rpm, hydraulic flow, 2-way •Economy mode



High Rigidity Work Equipment

Booms and arms are constructed with thick plates of high tensile strength steel. Processor and Road Builder Front are designed with large one piece steel castings in the boom foot, the boom tip, and the arm tip. The result is work equipment that exhibits long term durability and high resistance to bending and torsional stress.



WORKING ENVIRONMENT

PC290LL-11



Photos may include optional equipment.



Comfortable Working Space

Komatsu ROPS/OPS/FOPS/TOPS/WCB/FOG/Oregon OSHA Certified Forestry Cab Option. The wide spacious cab includes a heated air suspension seat with reclining backrest. The seat height and position are easily adjusted using a pull-up lever. The armrest position is easily adjusted together with the console. Reclining the seat further enables it to be fully laid back with the headrest attached.

- Available with a 7" (178 mm) fixed riser or 48" (1,219 mm) hydraulic tilt cab riser.
- Powerful LED working lights are standard (7" riser - 7 lights, 48" riser - 8 lights).
- 7/8" (22 mm) thick polycarbonate front window is standard.



Cab with 7" (178 mm) riser



Cab with 48" (1,219 mm) riser



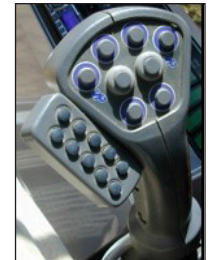
Photos may include optional equipment.

Comfortable, Precise Attachment Controls

Log Loader & Road Builder control levers have pilot proportional controls (PPC) with electronic-proportional control (EPC) sliding buttons for smooth and precise grapple & bucket thumb control. Processor with 398 Head has comfortable Sure Grip™ control handles.



Log Loader & Road Builder



398 Processor-Sure Grip

Low Cab Noise & Cab Vibration

The cab design is highly rigid and has excellent sound absorption ability to generate low noise levels similar to that of a modern automobile. Viscous cab floor mounts for the seat platform incorporate a long stroke and a spring to reduce vibration at the operator's seat.

Automatic Air Conditioner & Heater

The automatic air conditioner & heater allows the operator to easily and precisely set the cab atmosphere using the large LCD color monitor panel. The bi-level control function improves air flow and keeps the inside of the cab comfortable throughout the year.



Standard Equipment

Stereo radio and ashtray



Auxiliary input jack



12V Outlets & Magazine box



24V Outlet & Cigarette lighter



Large skylight



Spacious Toolbox



WORKING ENVIRONMENT

PC290LL-11

LARGE HIGH RESOLUTION LCD MONITOR



New Monitor Panel Interface Design

An updated large high resolution LCD color monitor enables accurate and smooth work. The interface has been redesigned to display key machine information in a new user friendly interface. A rear view camera and a DEF level gauge display have been added to the default main screen. The interface has a function that enables the main screen mode to be switched, thus enabling the optimum screen information for the particular work situation to be displayed.

Indicators

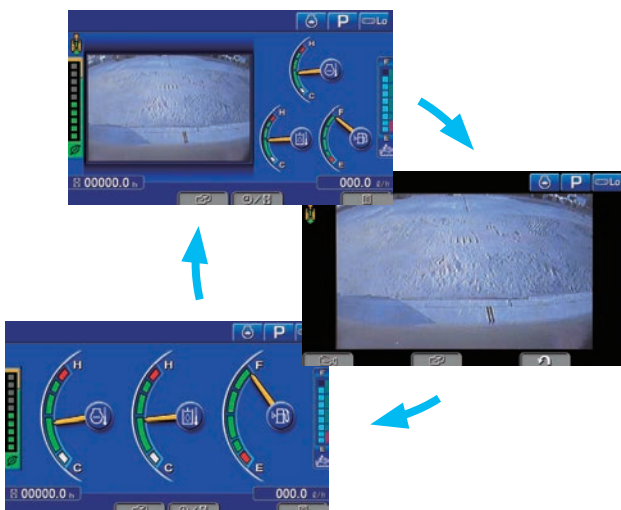
- | | |
|------------------------------------|-----------------------------|
| 1 Auto-decelerator | 8 Fuel gauge |
| 2 Working mode | 9 DEF level gauge |
| 3 Travel speed | 10 Service meter, clock |
| 4 Ecology gauge | 11 Fuel consumption gauge |
| 5 Camera display | 12 Guidance icon |
| 6 Engine coolant temperature gauge | 13 Function switches |
| 7 Hydraulic oil temperature gauge | 14 Camera direction display |
| | 15 DEF level caution lamp |

Basic operation switches

- | | |
|-------------------------|-------------------------|
| 1 Auto-decelerator | 4 Buzzer cancel |
| 2 Working mode selector | 5 Wiper |
| 3 Travel speed selector | 6 Window washer |
| | 7 Auto climate controls |

Switchable Display Modes

The main screen display mode can be changed by pressing the F3 key.



Visual user menu

Pressing the F6 key on the main screen displays the user menu screen. The menus are grouped for each function, and use easy-to-understand icons which enable the machine to be operated easily.



- | | |
|---------------------------------------|--------------------|
| 1 Energy saving guidance | 2 Machine settings |
| 3 Aftertreatment devices regeneration | 4 SCR information |
| 5 Maintenance | 6 Monitor setting |
| | 7 Message check |

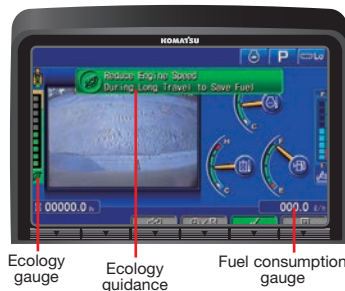
Support Efficiency Improvement

Ecology guidance

While the machine is operating, ecology guidance pops up on the monitor screen to notify the operator of the status of the machine in real time.

Ecology gauge & fuel consumption gauge

The monitor screen is provided with an ecology gauge and also a fuel consumption gauge which is displayed continuously. In addition, the operator can set any desired target value of fuel consumption (within the range of the green display), enabling the machine to be operated with better fuel economy.



Ecology gauge Ecology guidance Fuel consumption gauge

Operation record, fuel consumption history and ecology guidance record

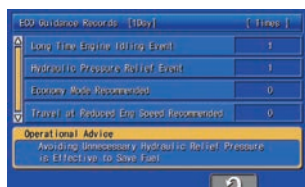
The ecology guidance menu enables the operator to check the operation record, fuel consumption history and ecology guidance record from the ecology guidance menu using a single touch, thus assisting operators with reducing total fuel consumption.



Operation record



Fuel consumption history



Ecology guidance record

Operator Identification Function

An operator identification ID can be set up for each operator, and used to manage operation information of individual machines using KOMTRAX data. Data sent from KOMTRAX can be used to analyze operation status by operator as well as by machine.

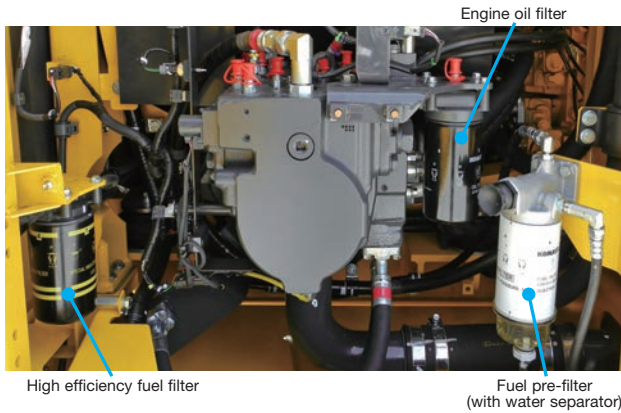


Photos may include optional equipment.

MAINTENANCE FEATURES

Centralized engine check points

Locations of the engine oil check and filters are integrated into one side to allow easy maintenance and service.



High efficiency fuel filter and pre-filter with water separator.

Electric fuel priming pump.

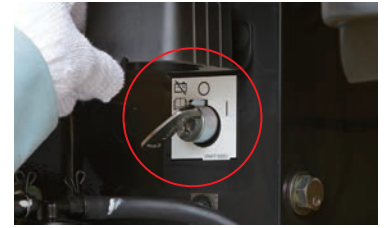
Fuel pre-filter with water separator.

Easy access to engine oil filter, engine oil, drain valve, fuel drain valve and water separator drain valve.

Sealed & screened air intake door.

Battery disconnect switch.

A standard battery disconnect switch allows a technician to disconnect the power supply and lock out before servicing the machine.



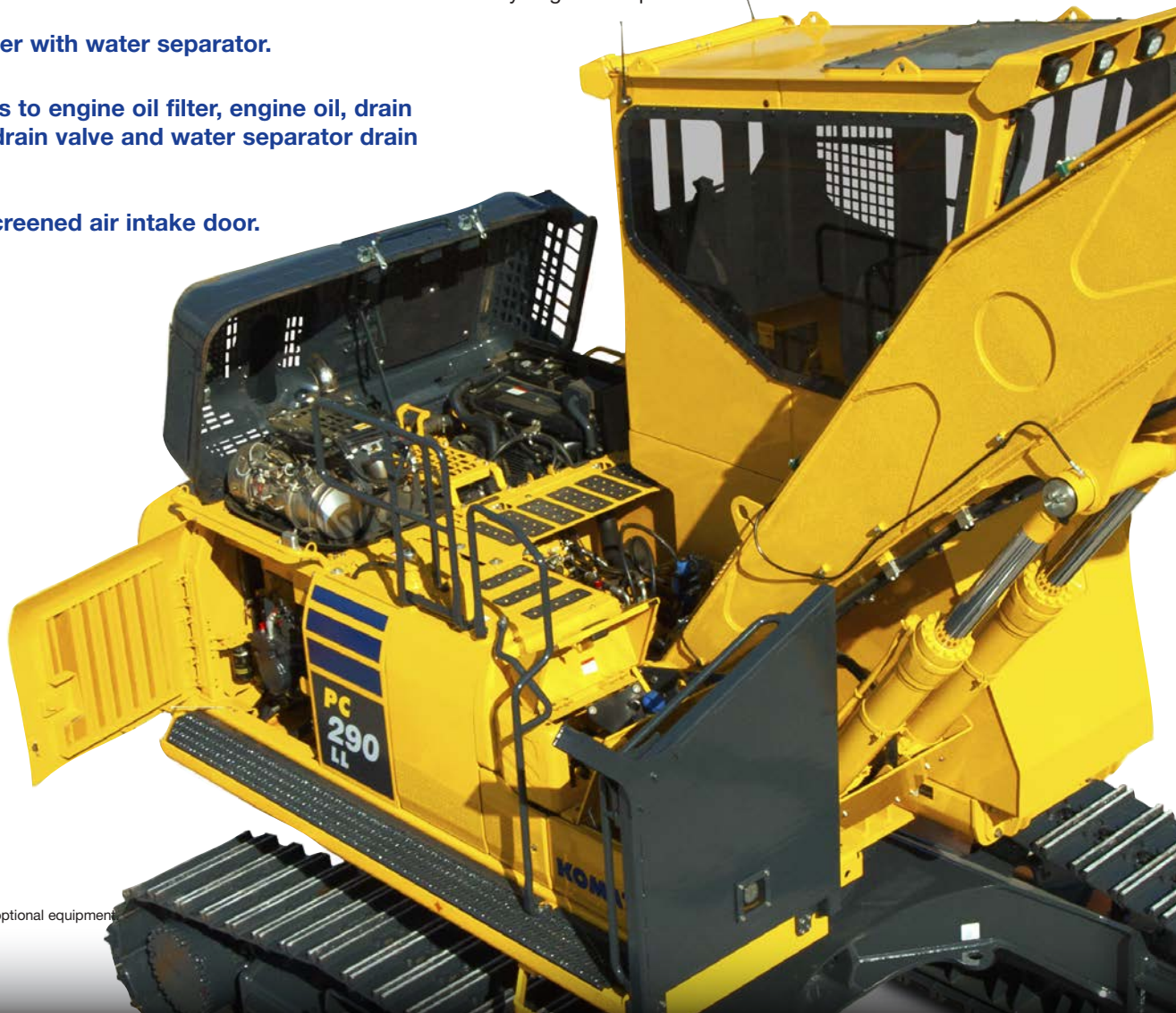
Easy to access air conditioner filter

Sloping track frame for reduced debris buildup

Large right hand front storage space

Excellent engine access

Large rear opening hood, service platform and slip resistant plates provide excellent maintenance and service access to key engine components.



Photos may include optional equipment.

PC290LL-11

Long-life oils, filters

High performance filters are used in the hydraulic circuit and engine. By increasing the oil and filter replacement intervals, maintenance costs can be significantly reduced.



Hydraulic oil filter (Eco-white element)

Engine oil & Engine oil filter	every	500 hours
Hydraulic oil	every	5,000 hours
Hydraulic oil filter	every	1,000 hours

Large capacity air cleaner

Large capacity air cleaner is comparable to that of larger machines. The larger air cleaner can extend air cleaner life during long-term operation and helps prevent early clogging, and resulting power loss. A radial seal design is used for reliability.

Diesel Exhaust Fluid (DEF) tank

A large tank volume extends operating time before refilling and is installed on the right front stairway for ease of access.



Photos may include optional equipment.

Maintenance Information

“Maintenance time caution lamp” display

When the remaining time to maintenance becomes less than 30 hours*, a maintenance time monitor appears. Pressing the F6 key switches the monitor to the maintenance screen.

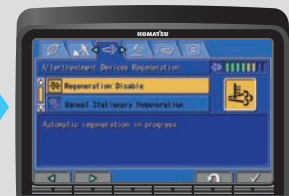
* : The setting can be changed within the range between 10 and 200 hours.



Maintenance screen

KDPF Regeneration Logic

Under most conditions, active regeneration will occur automatically with no effect on machine operation. In case the operator needs to disable active regeneration or initiate a manual stationary regeneration, this can be easily accomplished through the monitor panel. A soot level indicator is displayed to show how much soot is trapped in the KDPF.



Soot level indicator

Aftertreatment device regeneration screen

Supports the DEF level and refill timing

The DEF level gauge is displayed continuously on the right side of the monitor screen. In addition, when DEF level is low, DEF low level guidance messages appear in pop up displays to inform the operator in real time.



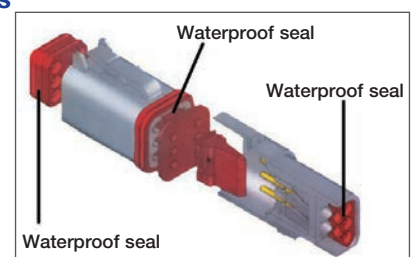
DEF level gauge



DEF low level guidance

DT-type connectors

Sealed DT-type electrical connectors provide high reliability, water and dust resistance.



GENERAL FEATURES

Rugged Purpose-Built High & Wide Forestry Undercarriage

The rugged undercarriage is designed from the ground up for demanding forestry applications using components from the larger size class excavator for high reliability & durability.

- HD 1-piece design carbody with integrated tow points and transportation tie-downs
- 28" (715 mm) ground clearance and 11'5" (3,492 mm) transport width
- PC360LC-class final drives generate 64,520 lbf (29,265 kgf) of drawbar pull
- PC360LC-class track components with 8.5" pitch track
- 2 HD carrier rollers with double support mounts and roller wipers prevent debris buildup; 8 HD track rollers (each side)
- Idlers have high capacity recoil springs & stiffener side brackets
- Full length "ski-type" track roller guards protect the rollers, minimize track twisting and improve track component durability in demanding forestry applications



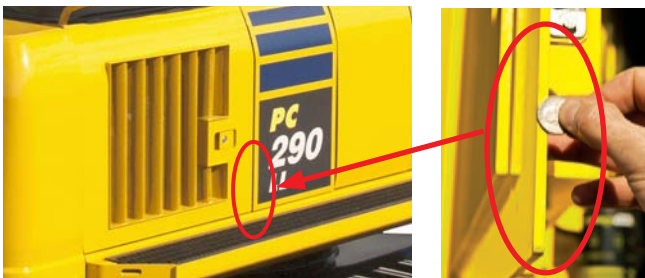
Right Hand Front Corner Guard

The right hand front corner is protected by a rugged guard with a tree deflector and a protected LED light. The guard protects to the edge of the grip strut walkway. The tree deflector can be rotated into a transport position.



HD Compartment Doors & Covers

All compartment doors & covers are more than 3 times thicker than on comparable size Komatsu excavators for added protection (1/4" - 6 mm vs. 1/16" - 1.6 mm).



HD Upper Structure Bottom Guard

The upper structure bottom has HD 3/8" (9 mm) thick removeable service access panels which are 1.5 times thicker than on comparable size Komatsu excavators. All bolts are recessed or shielded for added protection.



Photos may include optional equipment.

Protective Forest Debris Screens

Engine hood, side access door and exhaust outlet cover screens provide added engine protection.



Grip Strut Walkways & Handrails

Full length grip strut walkways and upper structure handrails provide a convenient work area along both sides of the machine for maintenance and service.



All LED Working Lights

All cab and work equipment lights are LED and provide brilliant illumination in low light conditions for improved productivity (11 lights on Log Loader; 10 on Processor & Road Builder).



Rear View Monitoring System

A new rear view monitoring system display has a rear view camera image that is continuously displayed together with the gauges and important vehicle information. This enables the operator to carry out work while easily checking the surrounding area.



KOMTRAX EQUIPMENT MONITORING

GET THE WHOLE STORY WITH
KOMTRAX[®]

✓ WHAT

- KOMTRAX is Komatsu's remote equipment monitoring and management system
- KOMTRAX **continuously monitors and records** machine health and operational data
- Information such as fuel consumption, utilization, and a detailed history aids in **lowering owning and operating cost**

✓ WHEN

- Know when your machines are **running or idling** and make decisions that will improve your fleet utilization
- Detailed movement records ensure you know when and where your equipment is moved
- Up to date records allow you to **know when maintenance is due** and help you plan for future maintenance needs

✓ WHERE

- KOMTRAX data **can be accessed virtually anywhere** through your computer, the web or your smart phone
- Automatic alerts keep fleet managers up to date on the latest machine notifications

✓ WHY

- Knowledge is power - **make informed decisions** to manage your fleet better
- Knowing your idle time and fuel consumption will help maximize your machine efficiency
- **Take control of your equipment** - any time, anywhere

✓ WHO

- KOMTRAX is **standard** equipment on all Komatsu log loader and construction products



KOMTRAX[®]

For log loaders, construction and compact equipment.

KOMTRAX Plus[®]

For production and mining class machines.

Every new Komatsu Tier 4 Final log loader and construction machine is covered.

The Komatsu CARE program covers all new Komatsu Tier 4 Final log loader and construction equipment, whether rented, leased or purchased. For the first 3 years or 2,000 hours, whichever occurs first, you'll receive:

- Regular service at 500, 1,000, 1,500 and 2,000-hr. intervals
- DEF tank breather element replacement at 1,000 hours
- DEF and CCV filters replacement at 2,000 hours
- 50-point inspection by factory-trained technicians at each scheduled interval
- Technician labor
- Fluids, oils, coolant, filters, SCR screen, tank breather and parts
- Technician travel to and from your equipment location

Plus Complimentary KDPF replacement and SCR system service for 5 years-no hours limits.*

Service will be performed by a Komatsu Distributor and only Komatsu genuine fluids and filters will be used.

Komatsu CARE® services are available from every Komatsu Distributor in the U.S. and Canada.



Komatsu CARE – Extended Coverage

- Extended Coverage can provide peace of mind by protecting customers from unplanned expenses that effect cash flow
- Purchasing extended coverage locks-in the cost of covered parts and labor for the coverage period and helps turn these into fixed costs



* Some exclusions apply. Please contact your Komatsu distributor for details.



Komatsu Parts Support

- 24/7/365 support to fulfill your parts needs
- 9 parts Distribution Centers strategically located across the U.S. and Canada
- Distributor network of more than 300 locations across U.S. and Canada to serve you
- Online part ordering through Komatsu eParts
- Remanufactured components with same-as-new warranties at a significant cost reduction



Komatsu Oil and Wear Analysis (KOWA)

- KOWA detects fuel dilution, coolant leaks, and measures wear metals
- Proactively maintain your equipment
- Maximize availability and performance
- Can identify potential problems before they lead to major repairs
- Reduce life cycle cost by extending component life

SPECIFICATIONS



ENGINE

Model.....Komatsu SAA6D107E-3*
 Type.....Water-cooled, 4-cycle, direct injection
 Aspiration..... Komatsu variable geometry turbocharged, aftercooled, cooled EGR
 Number of cylinders..... 6
 Bore..... 107 mm **4.21"**
 Stroke..... 124 mm **4.88"**
 Piston displacement.....6.69 ltr **408 in³**
 Horsepower:
 SAE J1995.....Gross 159 kW **213 HP**
 ISO 9249 / SAE J1349.....Net 147 kW **196 HP**
 Rated rpm..... 2,050
 Fan drive method for radiator cooling Mechanical
 Governor..... All-speed control, electronic
 *EPA Tier 4 Final emissions certified



HYDRAULICS

Type: HydrauMind (Hydraulic Mechanical Intelligence system), closed-center system with load sensing valves and pressure compensated valves.
 Number of selectable working modes 6
 Main pump:
 TypeVariable displacement piston type
 Pumps for.....Boom, arm, bucket, swing, and travel circuits
 Maximum flow..... 479 ltr/min **126.5 gal/min**
 Supply for control circuit Self-reducing valve
 Hydraulic motors:
 Travel..... 2 x axial piston motors with parking brake
 Swing 1 x axial piston motor with swing holding brake
 Relief valve setting:
 Implement circuits 37.3 MPa 380 kg/cm² **5,400 psi**
 Travel circuit..... 37.3 MPa 380 kg/cm² **5,400 psi**
 Swing circuit 27.9 MPa 284 kg/cm² **4,050 psi**
 Pilot circuit 3.2 MPa 33 kg/cm² **470 psi**
 Grapple rotate circuit9.8 MPa 100 kg/cm² **1,420 psi**
 Grapple open/close circuit ...29.9 MPa 305 kg/cm² **4,340 psi**

Hydraulic cylinders:
 (Number of cylinders – bore x stroke x rod diameter)

	Log Loader	Processor/Road Builder
Boom (2)	150 mm x 1,247 mm x 110 mm 5.9" x 49.1" x 4.3"	140 mm x 1,300 mm x 100 mm 5.5" x 51.2" x 3.9"
Arm (1)	185 mm x 1,421 mm x 120 mm 7.3" x 55.9" x 4.7"	150 mm x 1,635 mm x 110 mm 5.9" x 64.3" x 4.3"
Bucket (1)*	140 mm x 1,063 mm x 100 mm 5.5" x 41.9" x 3.9"	140 mm x 1,009 mm x 100 mm 5.5" x 39.7" x 3.9"

*No bucket cylinder on Processor



DRIVES AND BRAKES

Steering control.....Two levers with pedals
 Drive method Hydrostatic
 Maximum drawbar pull 287 kN 29,265 kgf **64,520 lbf**
 Gradeability.....70%, 35°
 Maximum travel speed: High..... 4.8 km/h **3.0 mph**
 (Auto-Shift) Mid 3.6 km/h **2.2 mph**
 (Auto-Shift) Low 2.5 km/h **1.6 mph**
 Service brake..... Hydraulic lock
 Parking brake.....Mechanical disc brake



SWING SYSTEM

Drive method Hydrostatic
 Swing reduction..... Planetary gear
 Swing circle lubrication Grease-bathed
 Service brake..... Hydraulic lock
 Holding brake/Swing lock.....Mechanical disc brake
 Swing speed..... 9.4 rpm
 Swing torque..... 10,494 kg•m **75,902 ft lbs**



UNDERCARRIAGE

Center frame X-frame
 Track frameBox-section
 Seal of track.....Sealed track
 Track adjusterHydraulic
 Number of shoes (each side) 48
 Number of carrier rollers (each side) 2
 Number of track rollers (each side) 8



COOLANT & LUBRICANT CAPACITY (REFILLING)

Fuel tank 400 ltr **105.7 U.S. gal**
 Coolant 36 ltr **9.5 U.S. gal**
 Engine..... 23.1 ltr **6.1 U.S. gal**
 Final drive, each side..... 9.0 ltr **2.4 U.S. gal**
 Swing drive 13.7 ltr **3.6 U.S. gal**
 Hydraulic tank 132 ltr **34.9 U.S. gal**
 Hydraulic system..... 253 ltr **66.8 U.S. gal**
 DEF tank 23.1 ltr **6.1 U.S. gal**



OPERATING WEIGHT (APPROXIMATE)

Log Loader:
 Includes: Forestry cab with 12,192 mm **48"** riser, 700 mm **28"** double grouser shoes, Komatsu 12,192 mm **40'** reach live heel forestry front, heavy counterweight, rated capacity of lubricants, coolant, full fuel tank, operator, and standard equipment (no grapple).

Processor:
 Includes: Forestry cab with 178 mm **7"** riser, 700 mm **28"** double grouser shoes, 6,150 mm **20'2"** one-piece processor boom, 3,500 mm **11'6"** processor arm, variable pitch reversing fan, heavy counterweight, rated capacity of lubricants, coolant, full fuel tank, operator, and standard equipment (no head).

Road Builder:
 Includes: Forestry cab with 178 mm **7"** riser, 700 mm **28"** double grouser shoes, 6,150 mm **20'2"** one-piece boom, 3,200 mm **10'6"** arm, 1292 mm **50.9"** bucket, heavy counterweight, rated capacity of lubricants, coolant, full fuel tank, operator, and standard equipment.

Configuration	Operating Weight	Ground Pressure
Log Loader	39,630 kg 87,370 lb	0.65 kg/cm ² 9.24 psi
Processor	37,000 kg 81,571 lb	0.61kg/cm ² 8.68 psi
Road Builder	37,380 kg 82,410 lb	0.61 kg/cm ² 8.68 psi

SPECIFICATIONS



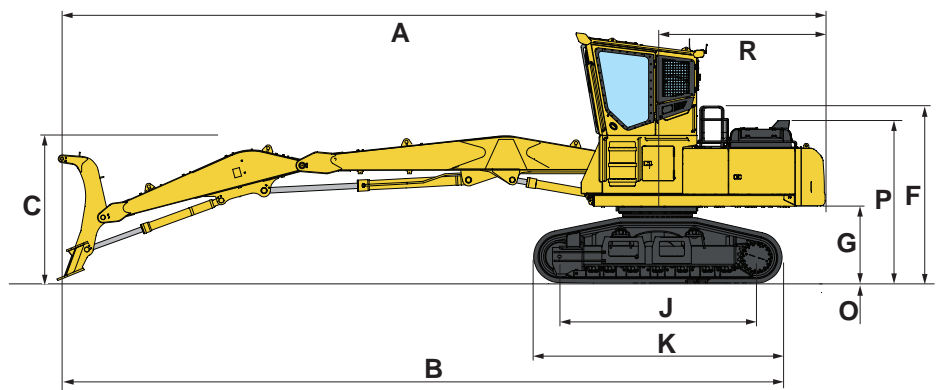
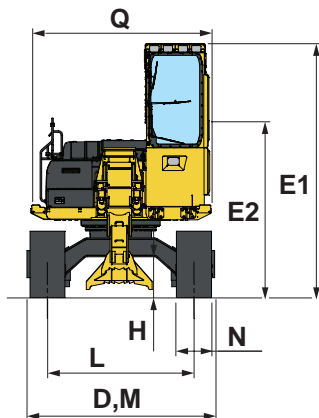
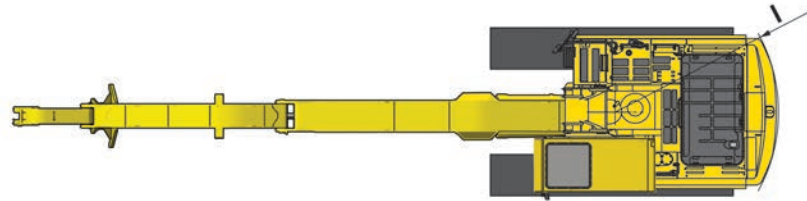
DIMENSIONS - LOG LOADER

	Live Heel	12,192 mm	40'
A	Overall length	14,763 mm	48'5"
B	Length on ground (transport)	14,324 mm	47'0"
C	Overall height (to top of boom)*	2,889 mm	9'6"
D	Overall width	3,532 mm	11'7"
E1	Overall height (to top of cab upright)*	5,005 mm	16'5"
E2	Overall transport height (to top of cab tilted)*	3,452 mm	11'4"
F	Overall height (to top of handrail)*	3,516 mm	11'6"
G	Ground clearance, (counterweight)	1,365 mm	4'6"
H	Ground clearance, (minimum)	715 mm	2'4"
I	Tail swing radius	3,014 mm	9'10"

	Live Heel	12,192 mm	40'
J	Track length on ground	4,014 mm	13'2"
K	Track length	4,985 mm	16'4"
L	Track gauge	2,792 mm	9'2"
M	Width of crawler (steps in working position)	3,532 mm	11'7"
M	Width of crawler (steps in transport position)	3,492 mm	11'5"
N	Shoe width	700 mm	2'4"
O	Grouser height	49.5 mm	1.9"
P	Engine hood height	3,255 mm	10'8"
Q	Machine cab width**	3,320 mm	10'11"
R	Distance, swing center to rear end	2,986 mm	9'10"

* : Including grouser height

** : Including handrail with tree deflector rotated or removed



PHOTOS MAY INCLUDE OPTIONAL EQUIPMENT

PC290LL-11



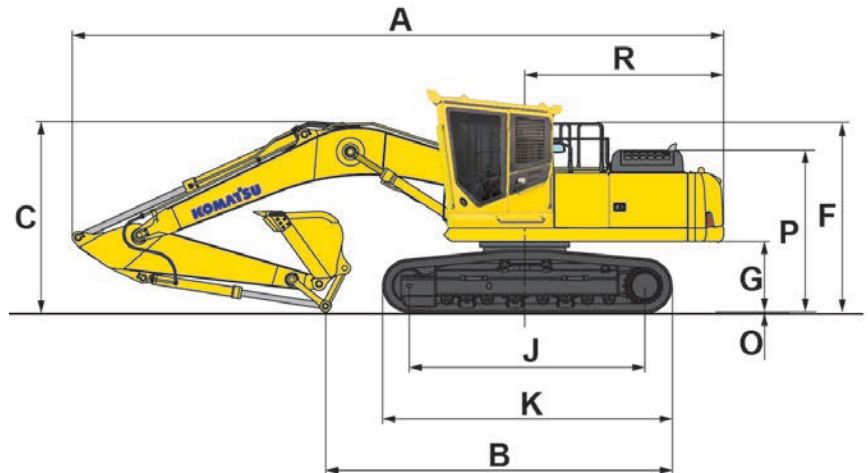
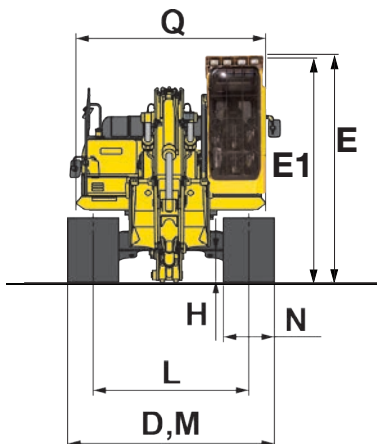
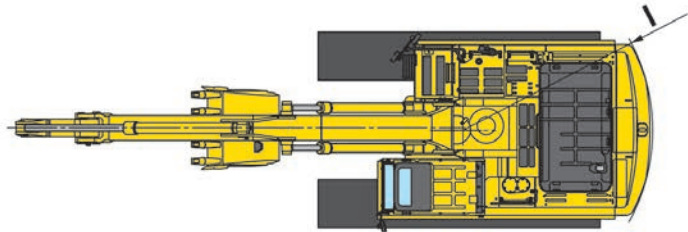
DIMENSIONS - PROCESSOR / ROAD BUILDER

	Boom Length	6,150 mm	20'2"
	Arm Length - Processor	3,500 mm	11'6"
	Arm Length - Road Builder	3,200 mm	10'6"
A	Overall length - Processor	10,174 mm	33'5"
	Overall length - Road Builder	10,215 mm	33'6"
B	Length on ground (transport) - Processor	5,257 mm	17'3"
	Length on ground (transport) - Road Builder	5,651 mm	18'6"
C	Overall height (to top of boom)* - Processor	3,266 mm	10'9"
	Overall height (to top of boom)* - Road Builder	3,342 mm	11'0"
D	Overall width (with steps)	3,532 mm	11'7"
E	Overall height (to top of cab)*	3,998 mm	13'2"
E1	Overall height (to top of cab)* light guard removed	3,907 mm	12'10"
F	Overall height (to top of handrail)*	3,516 mm	11'6"
G	Ground clearance, counterweight	1,365 mm	4'6"
H	Ground clearance, minimum	715 mm	2'4"

	Boom Length	6,150 mm	20'2"
	Arm Length - Processor	3,500 mm	11'6"
	Arm Length - Road Builder	3,200 mm	10'6"
I	Tail swing radius	3,014 mm	9'10"
J	Track Length on ground	4,014 mm	13'2"
K	Track length	4,985 mm	16'4"
L	Track gauge	2,792 mm	9'2"
M	Width of crawler (steps in working position)	3,532 mm	11'7"
M	Width of crawler (steps in transport position)	3,492 mm	11'5"
N	Shoe width	700 mm	2'4"
O	Grouser height	49.5 mm	1.9"
P	Engine hood height	3,255 mm	10'8"
Q	Machine cab width **	3,320 mm	10'11"
R	Distance, swing center to rear end	2,986 mm	9'10"

* : Including grouser height

** : Including handrail with tree deflector rotated or removed

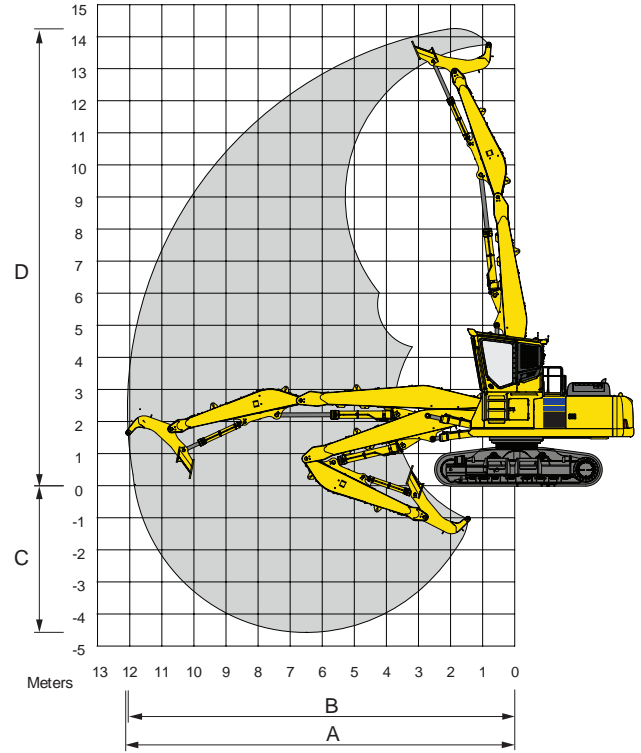


SPECIFICATIONS



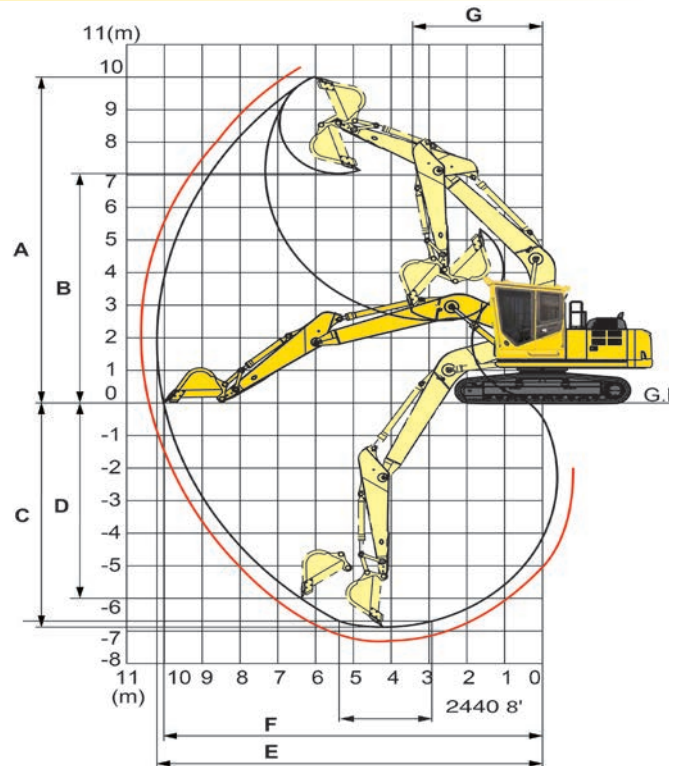
WORKING RANGE - LOG LOADER

	Live Heel	12,192 mm	40'
A	Max. reach	12,166 mm	39'11"
B	Max. reach at ground level	12,077 mm	39'7"
C	Max. reach below grade depth	4,501 mm	14'9"
D	Max. reach above grade height	14,138 mm	46'5"



WORKING RANGE - ROAD BUILDER

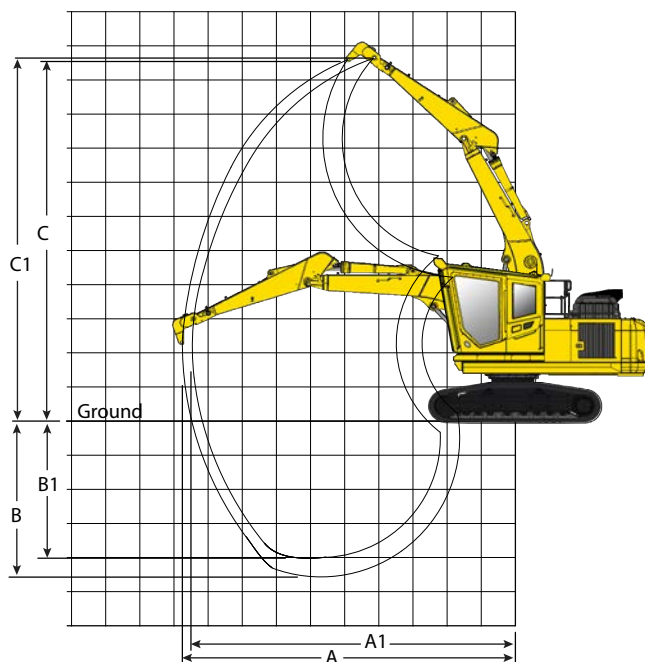
	Boom Length	6,150 mm	20'2"
	Arm Length	3,200 mm	10'6"
A	Max. digging height	10,524 mm	34'6"
B	Max. dumping height	7,707 mm	25'3"
C	Max. digging depth	6,678 mm	21'11"
D	Max. vertical wall digging depth	6,061 mm	19'11"
E	Max. digging reach	10,603 mm	34'9"
F	Max. digging reach at ground level	10,377 mm	34'1"
G	Min. swing radius	3,680 mm	12'
SAE rating	Bucket digging force at power max.	176 kN	39,463 lb
	Arm crowd force at power max.	129 kN	28,881 lb
ISO rating	Bucket digging force at power max.	198 kN	44,533 lb
	Arm crowd force at power max.	133 kN	27,876 lb





WORKING RANGE - PROCESSOR (WITHOUT HEAD)

	Boom Length	6,150 mm	20'2"
	Arm Length	3,500 mm	11'6"
A	Max. reach (to Komatsu adapter pin)	9,636 mm	31'7"
A1	Max. reach (to arm pin)	9,293 mm	30'6"
B	Max. working depth (to Komatsu adapter pin)	4,669 mm	15' 4"
B1	Max. working depth (to arm pin)	4,127 mm	13'6"
C	Max. working height (to Komatsu adapter pin)	10,473 mm	34'4"
C1	Max. working height (to arm pin)	10,518 mm	34'6"



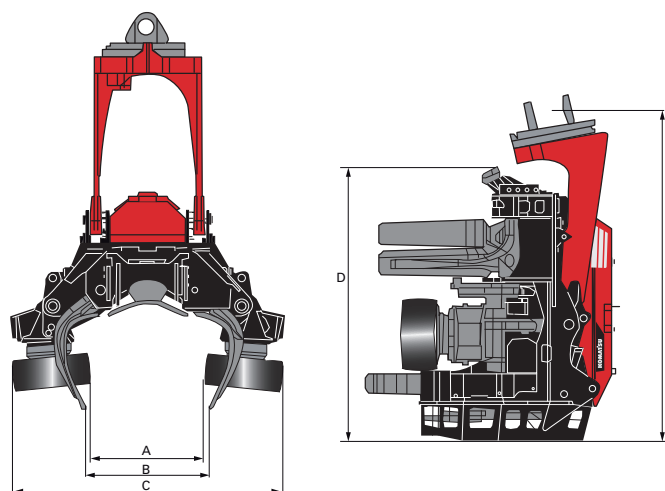
DIMENSIONS & SPECIFICATIONS - 398 PROCESSING HEAD

398 Processing Head - Specifications

Weight	2,875 kg	6,140 lb
Max Feed Speed	From 0-5 m/s	0-16.4 ft/s
Feed System	4 motors with 3-driven rollers	
Max Feed Force	up to 40 kN	9,000 lbf
Max Cut	710 mm	28"
Delimiting Knives	1 moveable top, 2 upper with proportional pressure control, 1 fixed bottom	

398 Processing Head - Dimensions

A	Roller opening, max	750 mm	30"
B	Opening upper knives, max	800 mm	32"
C	Width, max	1,800 mm	71"
D	Height to top knife	2,025 mm	80"
E	Height including rotator	2,440 mm	97"

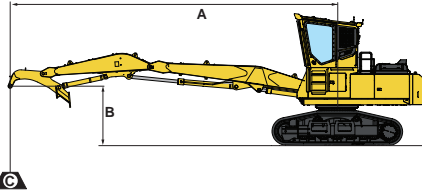


NOTE: Refers only to one of several possible configurations and the head weight is dependant on equipment options.
Refer to 398 sales brochure for standard equipment, specification and dimensions

LIFT CAPACITIES



LIFTING CAPACITY WITH POWER MAX - LOG LOADER



- A: Reach from swing center
- B: Bucket hook height
- C: Lifting capacity
- Cf: Rating over front
- Cs: Rating over side
- ⊗: Rating at maximum reach

Conditions:

- Front: Komatsu 40' 12,192 mm Live Heel
- Grapple: None
- Power Max: On
- Counterweight: Heavy
- Cab: Komatsu forestry with 48" riser

Front: Komatsu 12,192 mm 40' Live Heel

Shoes: 700 mm 28" - Double Grouser

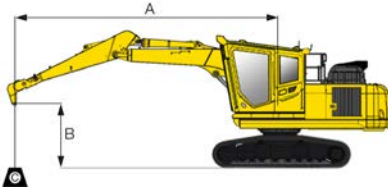
Unit: kg lb

B	4.6 m 15'		6.11 m 20'		7.61 m 25'		9.11 m 30'		10.71 m 35'		MAX Reach	⊗ MAX	
	Cf	Cs	Cf	Cs	Cf	Cs	Cf	Cs	Cf	Cs		Cf	Cs
12.2 m 40'			11,050	11,050							6.9	9,950	9,300
			* 24,400	* 24,400							23'	* 22,000	* 20,500
10.7 m 35'			10,200	10,200	9,150	8,200					8.7	8,250	6,400
			* 22,550	* 22,550	* 20,150	* 18,150					29'	* 18,200	* 14,200
9.1 m 30'			10,000	10,000	8,900	8,350	8,000	6,100			10.0	7,200	5,150
			* 22,050	* 22,050	* 19,600	* 18,450	* 17,650	* 13,500			33'	* 15,950	* 11,400
7.6 m 25'			10,200	10,200	8,950	8,350	7,950	6,150	6,550	4,650	10.9	6,250	4,450
			* 22,500	* 22,500	* 19,800	* 18,450	* 17,600	* 13,600	* 14,450	* 10,300	36'	* 13,850	* 9,850
6.1 m 20'			10,800	10,800	9,250	8,200	8,050	6,100	6,550	4,700	11.5	5,700	4,050
			* 23,850	* 23,850	* 20,450	* 18,150	* 17,800	* 13,500	* 14,500	* 10,400	38'	* 12,600	* 8,950
4.6 m 15'			11,700	11,300	9,700	8,000	8,250	6,000	6,500	4,650	11.9	5,400	3,800
			* 25,800	* 24,950	* 21,400	* 17,600	* 18,200	* 13,250	* 14,400	* 10,300	39'	* 11,900	* 8,400
3.0 m 10'			12,600	10,750	10,100	7,700	8,150	5,850	6,450	4,550	12.2	5,200	3,650
			* 27,800	* 23,750	* 22,300	* 17,000	* 18,050	* 12,900	* 14,200	* 10,100	40'	* 11,500	* 8,100
1.5 m 5'			13,100	10,250	10,250	7,400	8,000	5,650	6,350	4,500	12.2	4,650	3,650
			* 28,900	* 22,600	* 22,650	* 16,350	* 17,650	* 12,500	* 14,000	* 9,900	40'	* 10,300	* 8,100
0 m 0'			12,800	9,850	10,000	7,150	7,850	5,550	6,200	4,400	12.0	4,000	3,750
			* 28,300	* 21,700	* 22,050	* 15,850	* 17,350	* 12,200	* 13,700	* 9,750	39'	* 8,850	* 8,250
-1.5 m -5'	9,950	9,950	11,650	9,600	9,100	7,000	7,100	5,450	5,200	4,400	11.6	3,200	3,200
	* 22,000	* 22,000	* 25,700	* 21,200	* 20,150	* 15,500	* 15,700	* 12,050	* 11,450	* 9,700	38'	* 7,050	* 7,050
-3 m -10'	11,850	11,850	9,550	9,550	7,500	7,000	5,600	5,450					
	* 26,150	* 26,150	* 21,100	* 21,100	* 16,600	* 15,400	* 12,400	* 12,000					

*Load is limited by hydraulic capacity rather than tipping. Ratings are based on ISO standard No. 10567. Rated loads do not exceed 87% of hydraulic lift capacity or 75% of tipping load.



LIFTING CAPACITY WITH LIFTING MODE - PROCESSOR (WITHOUT HEAD)



- A: Reach from swing center
- B: Bucket hook height
- C: Lifting capacity
- Cf: Rating over front
- Cs: Rating over side
- ⊗: Rating at maximum reach

Conditions:

- Boom: 20'2" 6,150 mm one piece
- Attachment: None
- Lifting mode: On
- Counterweight: Heavy
- Cab: Komatsu forestry with 7" riser

Arm: 3,500 mm 11'6"

Shoes: 700 mm 28" - Double Grouser

Unit: kg lb

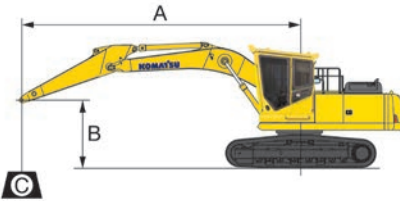
B	3.0 m 10'		4.6 m 15'		6.1 m 20'		7.6 m 25'		9.1 m 30'		Max Reach	⊗ MAX	
	Cf	Cs	Cf	Cs	Cf	Cs	Cf	Cs	Cf	Cs		Cf	Cs
7.6 m 25'					5,650	5,650	4,100	4,100			8.0	3,050	3,050
					* 12,500	* 12,500	* 9,050	* 9,050			26'	* 6,700	* 6,700
6.1 m 20'					6,450	6,450	5,600	5,600			8.9	3,000	3,000
					* 14,250	* 14,250	* 12,400	* 12,400			29'	* 6,650	* 6,650
4.6 m 15'			8,850	8,850	8,150	8,150	6,900	6,900	4,050	4,050	9.4	3,050	3,050
			* 19,550	* 19,550	* 18,050	* 18,050	* 15,300	* 15,300	* 8,950	* 8,950	31'	* 6,800	* 6,800
3.0 m 10'	19,200	19,200	12,450	12,450	9,550	9,550	7,850	7,750	5,300	5,300	9.7	3,250	3,250
	* 42,400	* 42,400	* 27,500	* 27,500	* 21,050	* 21,050	* 17,350	* 17,150	* 11,700	* 11,700	32'	* 7,200	* 7,200
1.5 m 5'	10,450	10,450	13,950	13,950	10,300	10,300	8,200	7,500	6,050	5,750	9.7	3,550	3,550
	* 23,050	* 23,050	* 30,850	* 30,850	* 22,700	* 22,700	* 18,100	* 16,600	* 13,400	* 12,750	32'	* 7,850	* 7,850
0 m 0'	10,700	10,700	14,300	14,300	10,450	9,900	8,250	7,300	5,950	5,700	9.5	4,050	4,050
	* 23,600	* 23,600	* 31,600	* 31,600	* 23,100	* 21,800	* 18,250	* 16,150	* 13,100	* 12,550	31'	* 8,900	* 8,900
-1.5 m -5'	13,700	13,700	13,500	13,500	10,150	9,800	7,850	7,200			9.0	4,800	4,800
	* 30,200	* 30,200	* 29,800	* 29,800	* 22,400	* 21,600	* 17,350	* 15,900			29'	* 10,650	* 10,650
-3.0 m -10'	15,300	15,300	11,600	11,600	8,850	8,850	6,650	6,650			8.2	5,800	5,800
	* 33,800	* 33,800	* 25,600	* 25,600	* 19,550	* 19,550	* 14,650	* 14,650			27'	* 12,800	* 12,800
-4.6 m -15'					6,300	6,300							
					* 13,900	* 13,900							

*Load is limited by hydraulic capacity rather than tipping. Ratings are based on ISO standard No. 10567. Rated loads do not exceed 87% of hydraulic lift capacity or 75% of tipping load.

PC290LL-11



LIFTING CAPACITY WITH LIFTING MODE - ROAD BUILDER (WITHOUT BUCKET)



- A: Reach from swing center
- B: Bucket hook height
- C: Lifting capacity
- Cf: Rating over front
- Cs: Rating over side
- ⊗: Rating at maximum reach

- Conditions:
- Boom: 20'2" 6,150 mm one piece
 - Bucket: None
 - Lifting mode: On
 - Counterweight: Heavy
 - Cab: Komatsu forestry with 7" riser

Arm: 3,200 mm 10'6"

Shoes: 700 mm 28" - Double Grouser

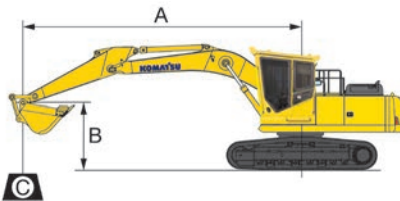
Unit: kg lb

B	1.5 m 5'		3.01 m 10'		4.61 m 15'		6.11 m 20'		7.61 m 25'		Max Reach	⊗ MAX	
	Cf	Cs	Cf	Cs	Cf	Cs	Cf	Cs	Cf	Cs		Cf	Cs
7.6 m 25'											7.3	4,700	4,700
6.1 m 20'							7,500	7,500	6,750	6,750	8.2	4,550	4,550
4.6 m 15'					10,150	10,150	8,550	8,550	7,750	7,750	8.8	4,550	4,550
3.0 m 10'					12,900	12,900	9,850	9,850	8,400	8,200	9.0	4,750	4,750
1.5 m 5'					15,100	15,100	11,050	10,850	9,050	8,050	9.1	5,100	5,100
0 m 0'			8,100	8,100	16,050	15,900	11,850	10,650	9,450	7,900	8.8	5,650	5,650
-1.5 m -5'	9,050	9,050	13,450	13,450	15,950	15,850	11,950	10,550	9,450	7,850	8.3	6,650	6,650
-3.0 m -10'			20,550	20,550	14,850	14,850	11,250	10,550			7.4	8,650	8,200
-4.6 m -15'					16,600	16,600	12,250	12,250			6.0	8,900	8,900
											20'	19,650	19,650

*Load is limited by hydraulic capacity rather than tipping. Ratings are based on ISO standard No. 10567. Rated loads do not exceed 87% of hydraulic lift capacity or 75% of tipping load.



LIFTING CAPACITY WITH LIFTING MODE - ROAD BUILDER (WITH BUCKET)



- A: Reach from swing center
- B: Bucket hook height
- C: Lifting capacity
- Cf: Rating over front
- Cs: Rating over side
- ⊗: Rating at maximum reach

- Conditions:
- Boom: 20'2" 6,150 mm one piece
 - Bucket: 50.9"
 - Lifting mode: On
 - Counterweight: Heavy
 - Cab: Komatsu forestry with 7" riser

Arm: 3,200 mm 10'6"

Shoes: 700 mm 28" - Double Grouser

Unit: kg lb

B	3.01 m 10'		4.61 m 15'		6.11 m 20'		7.6 m 25'		9.1 m 30'		Max Reach	⊗ MAX	
	Cf	Cs	Cf	Cs	Cf	Cs	Cf	Cs	Cf	Cs		Cf	Cs
6.1 m 20'							5,700	5,700			8.5	3,250	3,250
4.6 m 15'					7,200	7,200	6,450	6,450			9.0	3,300	3,300
3.0 m 10'			11,750	11,750	8,650	8,650	7,200	7,200	4,950	4,950	9.3	3,500	3,500
1.5 m 5'			14,200	14,200	10,000	10,000	7,900	7,250	5,750	5,550	9.3	3,850	3,850
0 m 0'			15,100	15,050	10,800	9,850	8,450	7,150	5,050	5,050	9.1	4,400	4,400
-1.5 m -5'	10,700	10,700	15,100	15,050	11,050	9,750	8,550	7,050			8.6	5,350	5,350
-3.0 m -10'	18,800	18,800	14,300	14,300	10,600	9,750	7,950	7,100			7.7	7,150	7,000
-4.6 m -15'	17,050	17,050	12,300	12,300	8,900	8,900					6.4	8,100	8,100
											21'	17,850	17,850

*Load is limited by hydraulic capacity rather than tipping. Ratings are based on SAE standard No. J1097. Rated loads do not exceed 87% of hydraulic lift capacity or 75% of tipping load.



STANDARD EQUIPMENT

- 3 Speed travel with Auto shift
- Alternator, 90 Ampere, 24V
- AM/FM radio
- Automatic engine warm-up system
- Automatic air conditioner/heater
- Auto idle
- Auto Idle Shutdown (programmable)
- Lever lock Auto-lock
- Auxiliary input (3.5 mm jack)
- Batteries, large capacity
- Battery disconnect switch
- Boom and arm holding valves
- Cab arrangement (See Optional Equipment)
- Carrier rollers (2 each side)
- Converter, 24V to 12V
- Coolers, wide fin (radiator, hydraulic oil cooler, charge air cooler)
- Counterweight, 7,000 kg **15,432 lb**
- Doors, HD 6 mm **1/4"** for cooler, pump & engine compartments
- Dry type air cleaner, double element
- Electric horn
- EMMS monitoring system
- Engine hood debris screens
- Engine, Komatsu SAA6D107E-3
- Engine coolant to -25°C **-13°F**
- Engine overheat prevention system
- EPC joysticks, thumb-actuated sliding button controls for fine control of attachments
- Fan guard structure
- Fuel system pre-cleaner, 10 micron
- Grip strut walkways (both sides)
- Guard, HD front right corner with tree deflector and 1 LED working light
- High back air suspension seat, with heat
- High pressure In-line hydraulic filters
- Hydraulic track adjusters
- KOMTRAX® Level 5.0
- Large LCD color monitor, high resolution
- Lock lever
- Mirrors, (LH and RH)
- Operator Identification System
- Power maximizing system
- PPC hydraulic control system
- Pump/engine room partition cover
- Rear reflectors
- Rearview monitoring system (1 camera)
- Revolving frame undercovers, HD 9 mm **3/8"**
- Seat belt, retractable, 76 mm **3"**
- Seat belt indicator
- Secondary engine shutoff switch
- Service valves, (2)
- Shoes, double grouser, 700 mm **28"**
- Skylight
- Slip resistant foot plates
- Spool limiters for 2 valves
- Starter motor, 5.5 kW/24V x 1
- Suction fan
- Swivel guard, HD
- Thermal and fan guards
- Tow hooks, HD (both ends of undercarriage)
- Track frame, High and wide
- Track frame undercovers, HD
- Track rollers (8 each side)
- Track roller guards, HD (full length)
- Travel alarm
- Working lights (see Optional Equipment, Fronts and Cab arrangements)
- Working mode selection system



OPTIONAL EQUIPMENT

- Arm holding valve (loose)
- Cab arrangements
 - Forestry cab, Komatsu ROPS/OPS/FOPS/TOPS/FOG/WCB/Oregon OSHA Certified Forestry Cab with 178mm **7"** fixed riser and 7 LED working lights
 - Forestry cab, Komatsu ROPS/OPS/FOPS/TOPS/FOG/WCB/Oregon OSHA Certified Forestry Cab with 1,219 mm **48"** tilting riser and 8 LED working lights
 - Temporary shipping shell on "stilts"
- Fan, variable pitch reversing (Road Builder only)
- Fronts
 - Forestry, 12,192 mm **40'** reach live heel forestry boom, arm and heel with 2 LED working lights
 - Processor, 6,150 mm **20'2"** processor boom assembly with piping and 2 LED working lights; 3,500 mm **11'6"** processor arm assembly with piping; variable pitch reversing fan
 - Road Builder, 6,150 mm **20'2"** boom assembly with 1 actuator piping and 2 LED working lights; 3,200 mm **10'6"** arm assembly with 1 actuator piping
 - Boom cylinders only (excavator)
- Grapples-Forestry 1,320 mm **52"** or 1,473 mm **58"** openings
- Processing head, Komatsu 398 with MaxiXplorer control system and Sure Grip™ handles (ILOS EPC joysticks)*
- Shoes, triple grouser, 700 mm **28"**
- Soft swing system
- Straight travel system, single pedal (1,219 mm **48"** riser only)

*NOTE: Refer to separate Komatsu 398 sales brochure for 398 standard equipment, specifications and dimensions.

KOMATSU®

Note: All comparisons and claims of improved performance made herein are made with respect to the prior Komatsu model unless otherwise specifically stated.